

Compact Ball valve
Complete PTFE type
Soft seal ball valve
Floating ball
Flange
PN16-40
DN15-100

Range of application:

In industrial facilities, oil and chemical industry and related manufacturing industries

Temperature range:

Max. working temperature :

-29°C to +200°C (carbon steel)

-50°C to +200°C (stainless steel)

Material [cording DIN EN (DIN)]

Body: —1.0619

—1.4408

Ball: —1.4301

—1.4401

Body Seal: PTFE

Seat: PTFE / RPTFE /TFM1600 / VX1/

PEEK

Perform standard:

Design: split body with full bore round port , floating ball.

acc. AD 2000 A4/ ATEX 2014/34/EU /DIN 3357 .

Design minimum wall thickness calculation acc. : EN12516-1 .

Face to face : DIN 558-1.

Flange ends : DIN EN1092-1.

Operating:with a two flat stem acc to the NAMUR

-recommends.

90° -rotary switch

Actuator mounting: mounting flange acc. to DIN ISO5211

for gear box , air- , electric-or hydraulic pattern actuator .

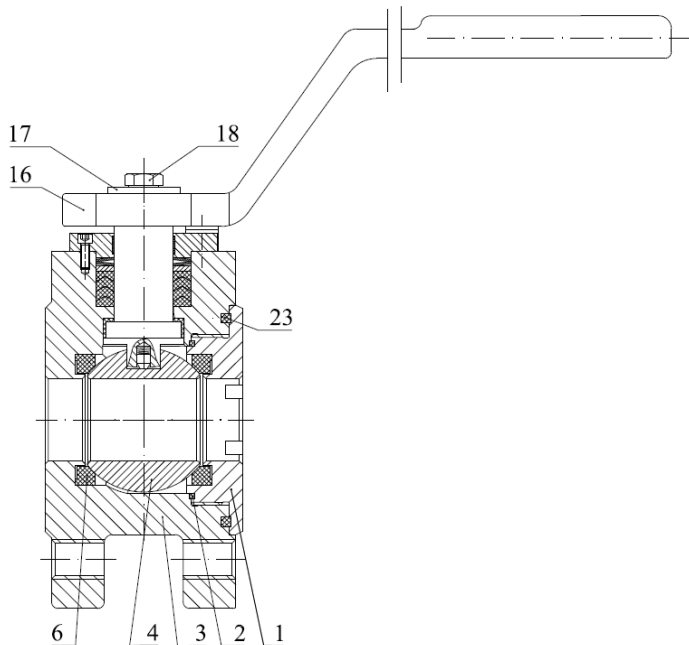
Antistatic device acc.: BS 5351 .

PTFE parts mit FDA certification available.

Preloaded belleville spring design for stem sealing system,

offers the possibility of adjustment of the sealing.

FIG.	Pressure	Material	RANGE
133.764	PN16	1.0619	DN15-DN100
135.764	PN40	1.0619	DN15-DN100
153.764	PN16	1.4408	DN15-DN100
155.764	PN40	1.4408	DN15-DN100



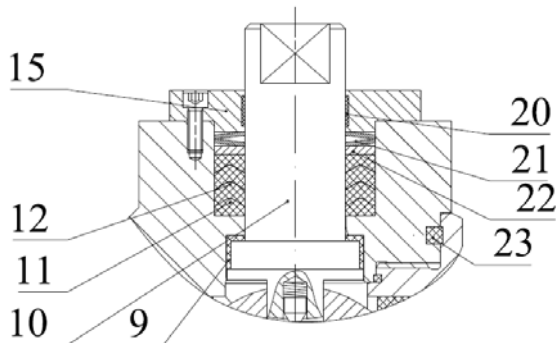
Ball valve with full bore and Flange .

Material list

NO.	Part	Material	
		FIG. 153.764 / 155.764	FIG. 133.764 /135.764
1	Adapter	1.4408	1.0619
2	Body seal	PTFE	PTFE
3	Body	1.4408	1.0619
4	Ball	1.4401	1.4301
6	Seat	PTFE / RPTFE /TFM1600 / VX1/PEEK	PTFE / RPTFE /TFM1600 / VX1/PEEK
16	Lever	1.4308	GGG40
17	Gasket	1.4301	1.4301
18	Bolts	A2-70	35
23	Body seal	PTFE	PTFE

Stopfbuchs-Varianten

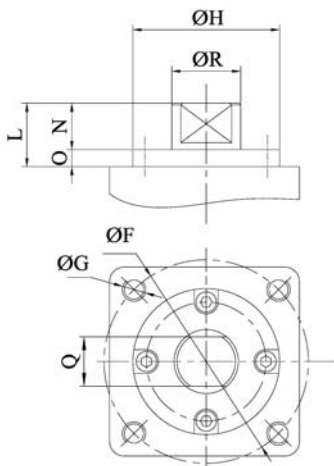
V-PTFE+SPRING
(TA AIR, Fig.765)



Material list

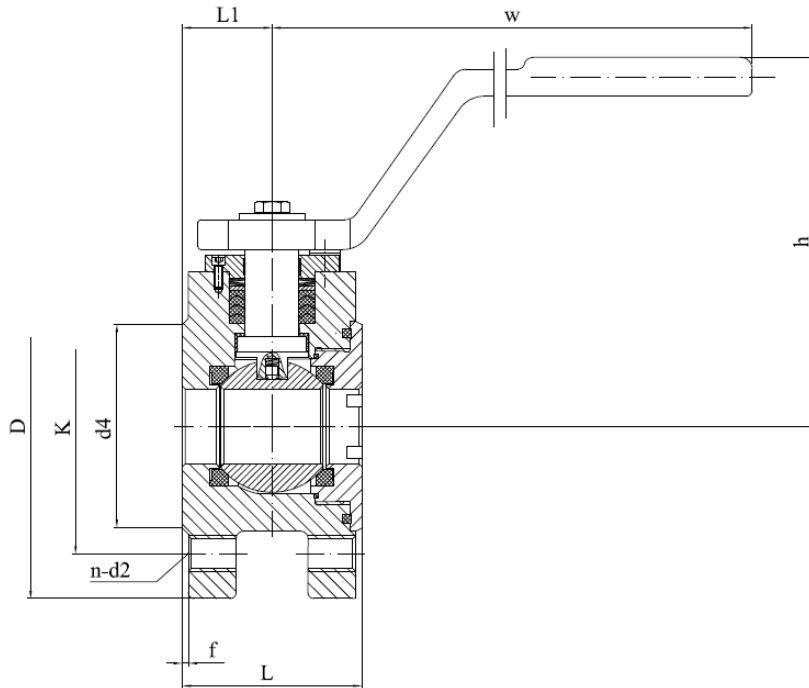
NO.	Part	Material	
		FIG. 153.764/ 155.764	FIG. 133.764 /135.764
9	Thrust bearing	PTFE+25%glass	PTFE+25%glass
10	Stem	17-4PH /1.4462/1.4571/ 1.4401	17-4PH /1.4462/1.4571/ 1.4401
11	Packing	PTFE	PTFE
12	Packing	PTFE	PTFE
15	Gland	1.4401	C22.8
20	Bearing	PTFE+30%C	PTFE+30%C
21	Belleville spring	17-7PH	17-7PH
22	Metal-ring	1.4401	1.4401
23	Body seal	Graphite	Graphite

Dimension List



DN	15	20	25	32	40	50	65	80	100
ΦF	50	50	50	50	70	70	70	102	102
ΦG	M6	M6	M6	M6	M8	M8	M8	M10	M10
ΦH	35	35	35	35	55	55	55	70	70
L	19.5	25.6	34.5	34.5	38	38	44	50	50
O	10.7	12.8	20.7	20.7	23.8	23.8	30.3	32.8	32.8
N	8.8	12.8	13.8	13.8	14.2	14.2	13.7	17.2	17.2
Q	11	11	14	14	17	17	17	19	19
ΦR	14	14	18	18	22	22	22	26	30
S	2	2	2	2	3	3	3	3	3
ISO5211	F05	F05	F05	F05	F07	F07	F07	F10	F10

FIG.	Pressure	Material	RANGE
133.764	PN16	1.0619	DN15-DN100
135.764	PN40	1.0619	DN15-DN100
153.764	PN16	1.4408	DN15-DN100
155.764	PN40	1.4408	DN15-DN100



Ball valve with full bore and Flange . Flange end: DIN EN 1092-1 Form B ; Face to face: EN558-1 .

Dimension List

PN	DN	dL	L	l ₁	D	K	n-d2	d4×f	Weight
16(40)	15	Φ 15	50	25	Φ 95	Φ 65	4-M12	Φ 45x2	1.8
	25	Φ 25	60	30	Φ 115	Φ 85	4-M12	Φ 68x2	3.4
	40	Φ 40	80	40	Φ 150	Φ 110	4-M16	Φ 88x2	6.8
	50	Φ 50	95	47.5	Φ 165	Φ 125	4-M16	Φ 102x3	9.6
16	65	Φ 65	110	55	Φ 185	Φ 145	4-M16	Φ 122x3	—
	80	Φ 80	145	72.5	Φ 200	Φ 160	8-M16	Φ 138x3	—
	100	Φ 100	170	85	Φ 220	Φ 180	8-M16	Φ 158x3	—
40	65	Φ 65	110	55	Φ 185	Φ 145	8-M16	Φ 122x3	—
	80	Φ 80	145	72.5	Φ 200	Φ 160	8-M16	Φ 138x3	—
	100	Φ 100	170	85	Φ 235	Φ 190	8-M20	Φ 162x3	—

Connecting format

Flanged		
Pressure rating	Flange dimension	Sealing form
PN16 PN40	DIN EN 1092-1	DIN EN 1092-1 Form B 1 Ra max : 12.5 μm Rz max : 50 μm

Installation instructions

Installation site is not prescribed.
Regardless of the flow direction.

Technical parameters

Flow characteristics - Kv (m³/h)

DN	15	20	25	32	40	50	65	80	100
Kv	12	23	60	72	175	360	620	930	1900

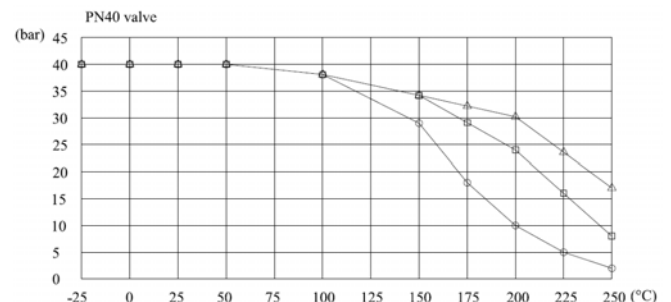
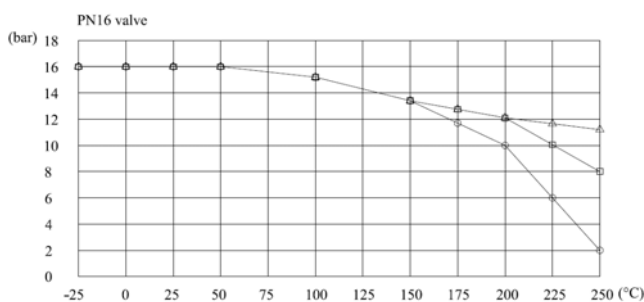
Open torque - Nm

ΔP (bar)	DN								
	15	20	25	32	40	50	65	80	100
0	3	3.5	6	9	14	17	39	59	75
10	4	6	10	15	24	27	55	80	105
16	5	8	16	21	31	36	70	100	132
25	7	11	20	30	39	55	95	130	180
40	9	15	26	41	50	72	130	190	265

Maximum and minimum

DN	15	20	25	32	40	50	65	80	100
M _{d max}	50	50	336	336	600	600	600	1000	1000
M _{d min}	2	2	3	5	8	9	21	32	41

Allowable pressure in dependence of the temperature



Seat material:

○—○—○ PTFE □—□—□ PTFE+25%Glass △—△—△ PTFE+15%Graphite

The shown values refer to austenitic stainless steel 1.4408. More details please consult.